

Parts Catalogue

Light Disc Harrow Remote Control



SANTA IZABEL
Implementos Agrícolas



GLCR

12 | 14 | 16 | 18 | 20 | 24

April / 2012



GLCR - TECHNICAL SPECIFICATIONS



GLCR - 12



GLCR - 14



GLCR - 16



GLCR - 18



GLCR - 20



GLCR - 24

Code	Model	Disc Diameter	Shaft Diameter	Disc Spacing	Cutting Width	Approximate Weight	Power Requirements (Wheel type)
10.33.0030	GLCR 12	24"	1.5/8"	230 mm	1480 mm	1454 Kg	65 - 75
10.33.1029	GLCR 12	26"	1.5/8"	230 mm	1480 mm	1484 Kg	65 - 75
10.33.0031	GLCR 12	28"	1.5/8"	230 mm	1480 mm	1568 Kg	65 - 75
10.33.1028	GLCR 14	24"	1.5/8"	230 mm	1676 mm	1605 Kg	75 - 80
10.33.1033	GLCR 14	26"	1.5/8"	230 mm	1676 mm	1641Kg	75 - 80
10.33.0034	GLCR 14	28"	1.5/8"	230 mm	1676 mm	1738 Kg	75 - 80
10.33.1037	GLCR 16	24"	1.5/8"	230 mm	1863 mm	1749 Kg	80 - 90
10.33.1035	GLCR 16	26"	1.5/8"	230 mm	1863 mm	1790 Kg	80 - 90
10.33.0038	GLCR 16	28"	1.5/8"	230 mm	1863 mm	1901 Kg	80 - 90
10.33.1009	GLCR 18	24"	1.5/8"	230 mm	2088 mm	1790 Kg	95 - 100
10.33.1005	GLCR 18	26"	1.5/8"	230 mm	2088 mm	1836 Kg	95 - 100
10.33.0007	GLCR 18	28"	1.5/8"	230 mm	2080 mm	1887 Kg	95 - 100
10.33.1010	GLCR 20	24"	1.5/8"	230 mm	2300 mm	1858Kg	100 - 120
10.33.1006	GLCR 20	26"	1.5/8"	230 mm	2300 mm	1909 Kg	100 - 120
10.33.0011	GLCR 20	28"	1.5/8"	230 mm	2300 mm	1965 Kg	100 - 120
10.33.1013	GLCR 24	24"	1.5/8"	230 mm	2556 mm	2074 Kg	140 -160
10.33.1014	GLCR 24	26"	1.5/8"	230 mm	2556 mm	2136 Kg	140 -160
10.33.0015	GLCR 24	28"	1.5/8"	230 mm	2556 mm	2203 Kg	140 -160

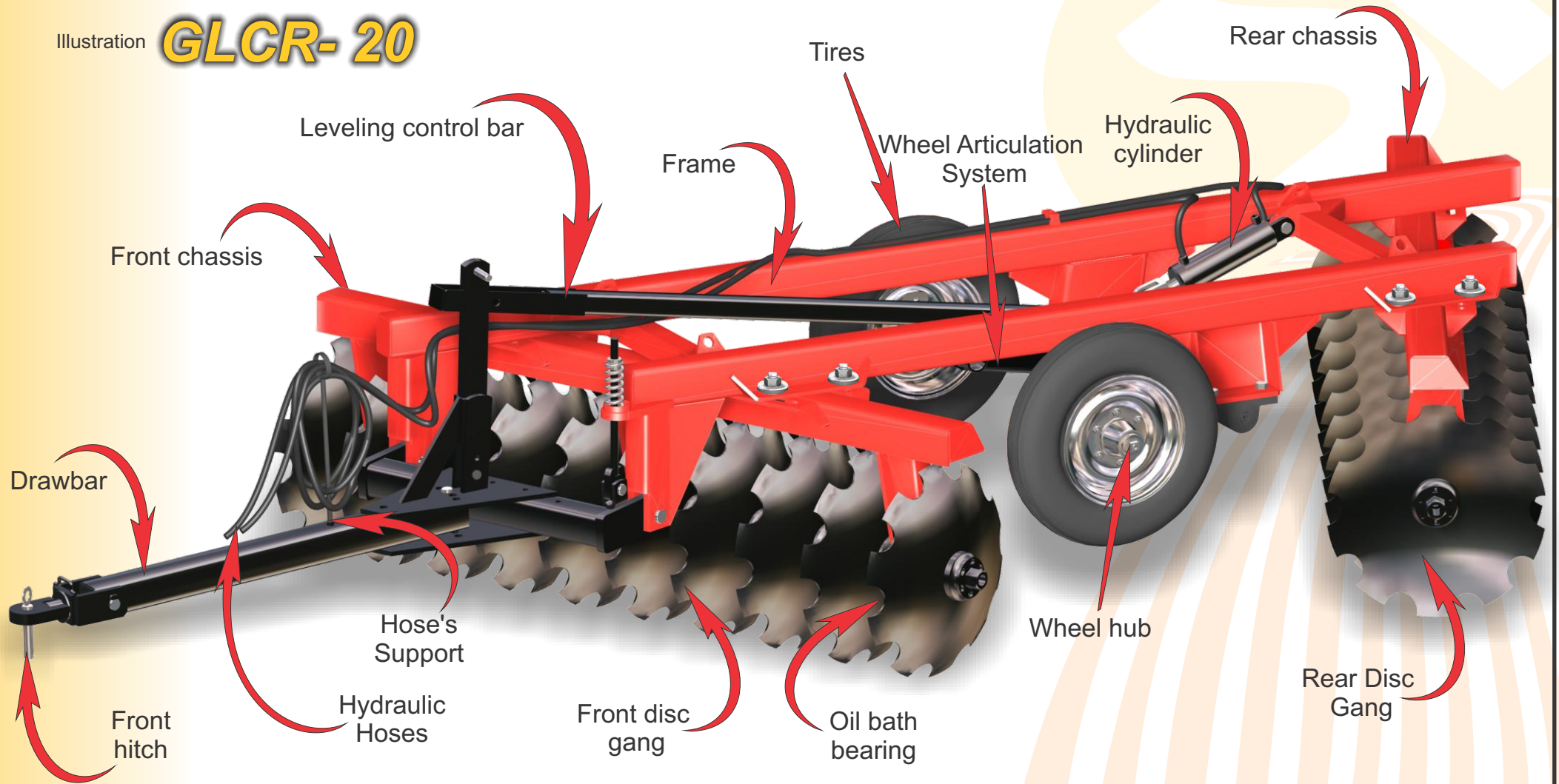
"Pursuant to the continuous improvement program for the products of the company, the specifications contained herein may be changed without prior notice and without the commitment of altering pieces of equipment previously manufactured".

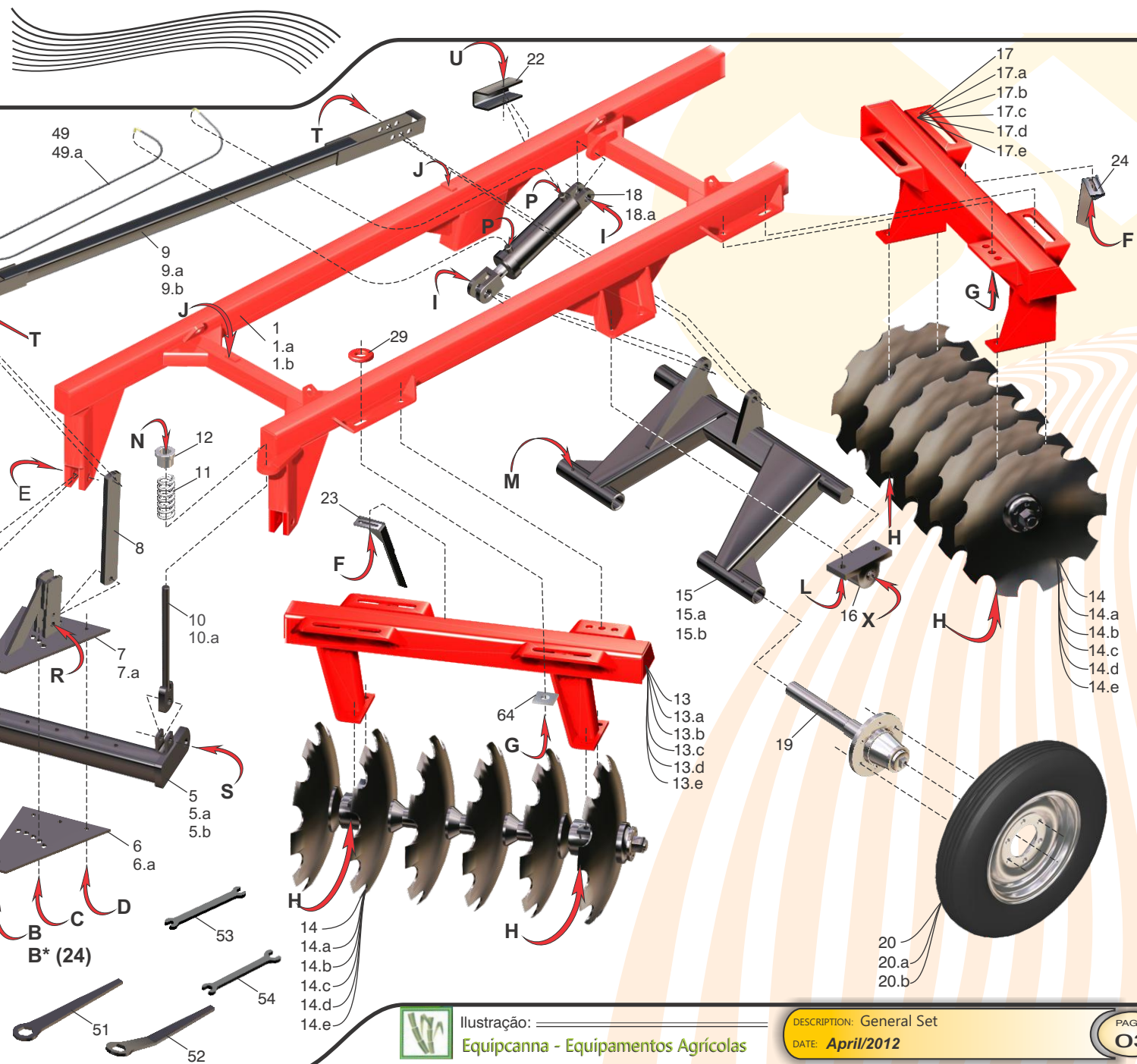
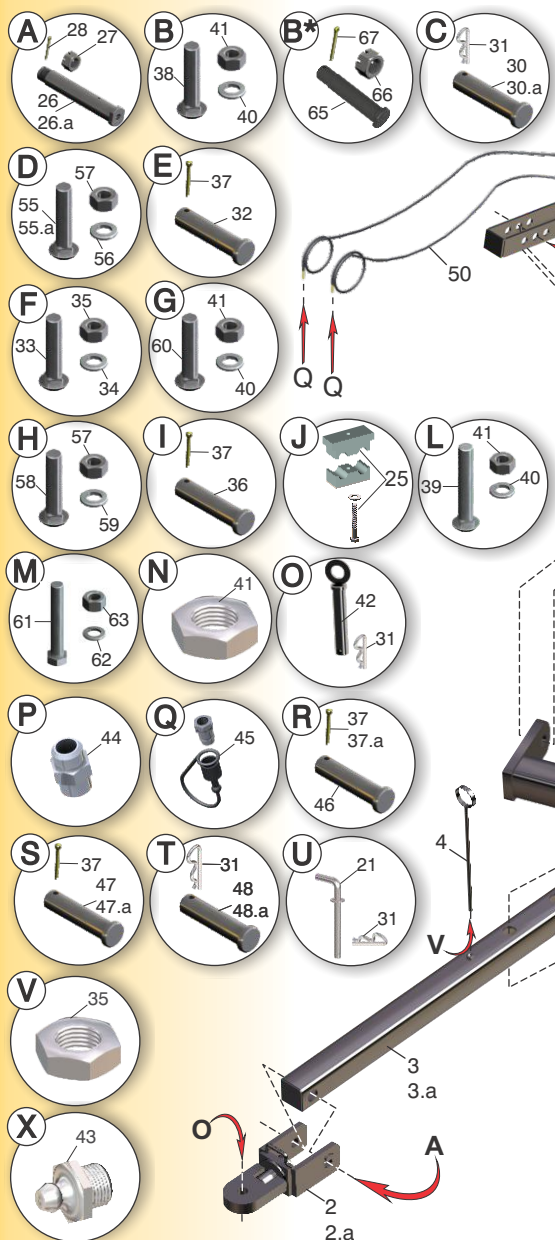




Light Disc Harrow Remote Control

Illustration **GLCR- 20**







GENERAL SET

ITEM CODE	DESCRIPTION	12	14	16	18	20	24
01	20.33.0084 — Frame	01					
01.a	20.33.0001 — Frame		01	01	01	01	
01.b	20.33.0028 — Frame						01
02	20.64.0009 — Hook	01	01	01	01	01	
02.a	20.49.0022 — Hook						01
03	20.33.0055 — Drawbar	01	01	01	01	01	
03.a	20.34.0019 — Drawbar						01
04	20.34.2029 — Hoses' Support	01	01	01	01	01	01
05	20.33.0090 — Offset Bar	01					
05.a	20.33.0054 — Offset Bar		01	01	01	01	
05.b	20.33.0043 — Offset Bar						01
06	21.33.0035 — Inferior Drawbar Plate	01	01	01	01	01	
06.a	20.33.0045 — Inferior Drawbar Plate						01
07	20.33.0007 — Superior Drawbar Plate	01	01	01	01	01	
07.a	20.33.0044 — Superior Drawbar Plate						01
08	20.33.0012 — Fixation Plate	01	01	01	01	01	01
09	20.33.0094 — Leveling Control Bar	01					
09.a	20.33.0056 — Leveling Control Bar		01	01	01	01	
09.b	20.33.0047 — Leveling Control Bar						01
10	20.33.0008 — Spring Support	01	01	01	01	01	
10.a	20.33.0046 — Spring Support						01
11	40.13.5143 — Spring	01	01	01	01	01	01
12	20.34.2016 — Spring Internal Guide	01	01	01	01	01	01
13	20.33.0086 — Front Chassis	01					
13.a	20.33.0095 — Front Chassis		01				
13.b	20.33.0102 — Front Chassis			01			
13.c	20.33.0070 — Front Chassis				01		
13.d	20.33.0072 — Front Chassis					01	
13.e	20.33.0033 — Front Chassis						01
14	40.11.0120 — Gang Discs - GLCR 12 (Page 09)	01					
14.a	40.11.0121 — Gang Discs - GLCR 14 (Page 10)		01				
14.b	40.11.0122 — Gang Discs - GLCR 16 (Page 11)			01			
14.c	40.11.0104 — Gang Discs - GLCR 18 (Page 12)				01		
14.d	40.11.0105 — Gang Discs - GICR 20 (Page 13)					01	
14.e	40.11.0049 — Gang Discs - GICR 24 (Page 14)						01
15	20.33.0091 — Whell Articulation Support	01					
15.a	20.33.0004 — Whell Articulation Support		01	01	01	01	
15.b	20.33.0040 — Whell Articulation Support						01
16	20.34.2022 — Wheel Articulation Bearing	02	02	02	02	02	02
17	20.33.0088 — Rear Chassis	01					
17.a	20.33.0097 — Rear Chassis		01				
17.b	20.33.0100 — Rear Chassis			01			
17.c	20.33.0068 — Rear Chassis				01		
17.d	20.33.0074 — Rear Chassis					01	
17.e	20.33.0034 — Rear Chassis						01
18	40.03.0361 — Hydraulic Cylinder	01	01	01	01	01	
18.a	40.03.0362 — Hydraulic Cylinder						01
19	20.33.0042 — Wheel Hub (Page 16)	02	02	02	02	02	02
20	20.53.0093 — Assembled Wheel 6.00 x 16 (Page 15)	02	02				
20.a	20.53.0097 — Assembled Wheel 7.50 x 16 (Page 15)			02	02	02	02
20.b	20.18.0113 — Assembled Wheel 11L-15 Opt (Page15)	02	02	02	02	02	02
21	20.33.0026 — Lock Pin	01	01	01	01	01	01
22	20.33.0025 — Articulation Cylinder Lock	01	01	01	01	01	01
23	20.33.0048 — Front Scrape	03	04	04	05	06	07
24	20.33.0049 — Rear Scrape	03	04	04	05	06	07
25	40.16.0302 — Hose clamp - 22mm tube	02	02	02	02	02	02
26	20.64.0109 — Stud Bolt	01	01	01	01	01	
26.a	20.32.0032 — Stud Bolt						01
27	40.16.5094 — Castle Nut 1.1/4"UNC	01	01	01	01	01	
27.a	40.16.0172 — Castle Nut 1.1/2"UNC						01
28	40.03.5028 — Cotterpin 1/4" x 3"	01	01	01	01	01	
29	20.34.0010 — Washer	08	08	08	08	08	08
30	22.33.0086 — Drawbar Plate Pin	01	01	01	01	01	
30.a	22.33.0074 — Drawbar Plate Pin						01
31	40.13.0002 — Lock Pin	05	05	05	05	05	05
32	22.33.0073 — Drawbar Fixation Pin	02	02	02	02	02	02
33	40.16.0010 — Bolt 5/8" x 2" UNC	12	16	16	20	24	28
34	40.01.5270 — Spring Washer 5/8" ZB	12	16	16	20	24	28
35	40.16.5080 — Hex. nut 5/8" UNC	13	17	17	21	25	31





GENERAL SET

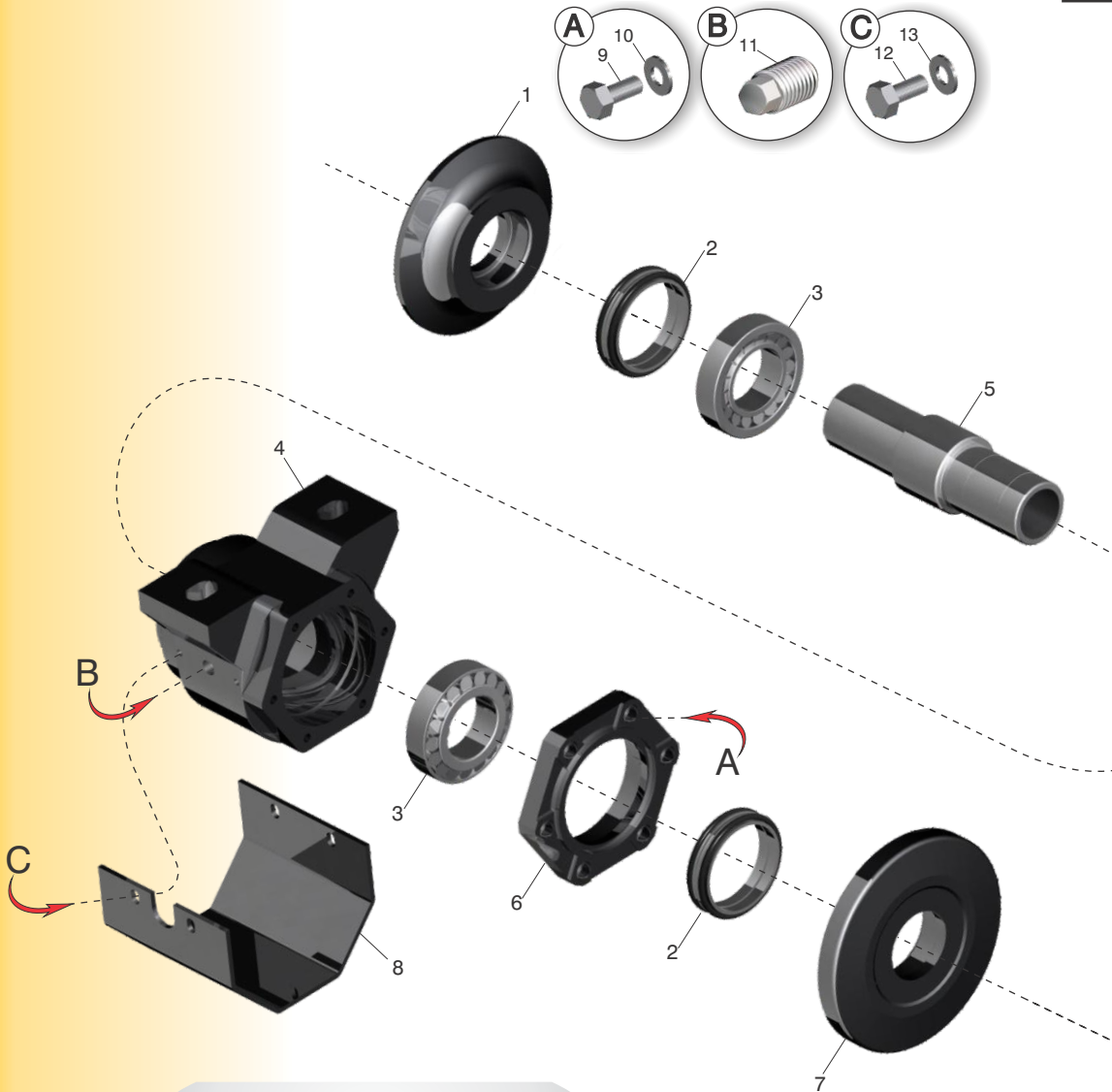
ITEM CODE	DESCRIPTION	12	14	16	18	20	24
36	20.33.0019 — Cylinder Fixation Pin	02	02	02	02	02	02
37	40.03.0009 — Cotter Pin 1/4" x 2" ZB	06	06	06	06	06	06
37.a	40.03.5283 — Cotter Pin 3/8" x 2" ZB						01
38	40.16.0218 — Hex. Bolt 1" X 7" 8.8	01	01	01	01	01	
39	40.16.0006 — Hex. Bolt 1" x 3" RP UNC ZB	04	04	04	04	04	04
40	40.01.5245 — Spring Washer 1"	13	13	13	13	13	12
41	40.16.5245 — Hex. Nut 1"UNC	15	15	15	15	15	14
42	20.64.0106 — Hook Pin	01	01	01	01	01	01
43	40.07.5034 — Grease Nipple	02	02	02	02	02	02
44	40.14.5603 — Nipple MF 1/2" NPT MF 7/8" UNF JIC ZB	02	02	02	02	02	02
45	40.13.0049 — Male coupler 1/2"	02	02	02	02	02	02
46	20.33.0017 — Stabilizer Plate Pin	01	01	01	01	01	03
47	20.33.0015 — Spring Support Pin	01	01	01	01	01	
47.a	20.21.0057 — Spring Support Pin						01
48	22.33.0084 — Stabilizer Bar Pin	02	02	02	02	02	
48.a	20.21.0057 — Stabilizer Bar Pin						02
49	40.13.0235 — Hydraulic Hose 1/2" x 5500	01	01	01	01	01	
49.a	40.13.0236 — Hydraulic Hose 1/2" x 6000	01	01	01	01	01	01
50	40.12.0237 — Hydraulic Hose 1/2" x 6500						01
51	20.66.0123 — Straight Spanner	01	01	01	01	01	01
52	20.66.0127 — Angled Spanner	01	01	01	01	01	01
53	22.34.2049 — Spanner 1/2" and 5/8"	01	01	01	01	01	01
54	22.34.2050 — Spanner 3/4" and 1"	01	01	01	01	01	01
55	40.16.5252 — Hex. Bolt 3/4" UNC x 6.1/2"	03	03	03	03	03	
55.a	40.16.5253 — Hex. Bolt 3/4" UNC x 6" UNC						03
56	40.01.5242 — Spring Washer 3/4"	03	03	03	03	03	03
57	40.16.5079 — Hex. Nut 3/4" UNC	19	19	27	27	27	35
58	40.06.0043 — Square Head Bolt 3/4" UNC x 3.1/2"	08	08	12	12	12	16
59	20.34.0077 — Washer 3/4"	08	08	12	12	12	16
60	40.16.5580 — Hex. Bolt 1" UNC x 3.1/2"	08	08	08	08	08	08
61	40.16.2055 — Hex. Bolt 1/2" BSW x 4"	02	02	02	02	02	02
62	40.01.5315 — Spring Washer 1/2"	02	02	02	02	02	02
63	40.16.5105 — Hex. Nut 1/2"	02	02	02	02	02	02
64	20.33.0023 — Chassis Plate	08	08	08	08	08	08

ITEM CODE	DESCRIPTION	12	14	16	18	20	24
65	20.32.0070 — Stud Bolt						01
66	40.16.5025 — Castle Nut 1.3/8" UNF						01
67	40.03.5027 — Cotter Pin 3/16" x 2"						01





OIL BATH BEARING



ITEM	CODE	DESCRIPTION	QUANTITY
01	40.01.0297	Convex Washer	01
02	40.18.0132	Retainer	02
03	40.18.0131	Bearing	02
04	40.03.0572	Bearing housing	01
05	40.05.0251	Bearing Shaft	01
06	40.20.0421	Bearing Cap	01
07	40.01.0298	Concave Washer	01
08	40.03.0574	Bearing Cover	01
09	40.16.5139	Hex. Bolt 3/8" UNC x 1.1/4"	06
10	40.01.0053	Spring Washer 3/8"	06
11	40.02.0038	Drain plug	01
12	40.16.5418	Hex. Bolt 1/2" x 3/4" UNC	02
13	40.01.5411	Flat Washer 1/2"	02

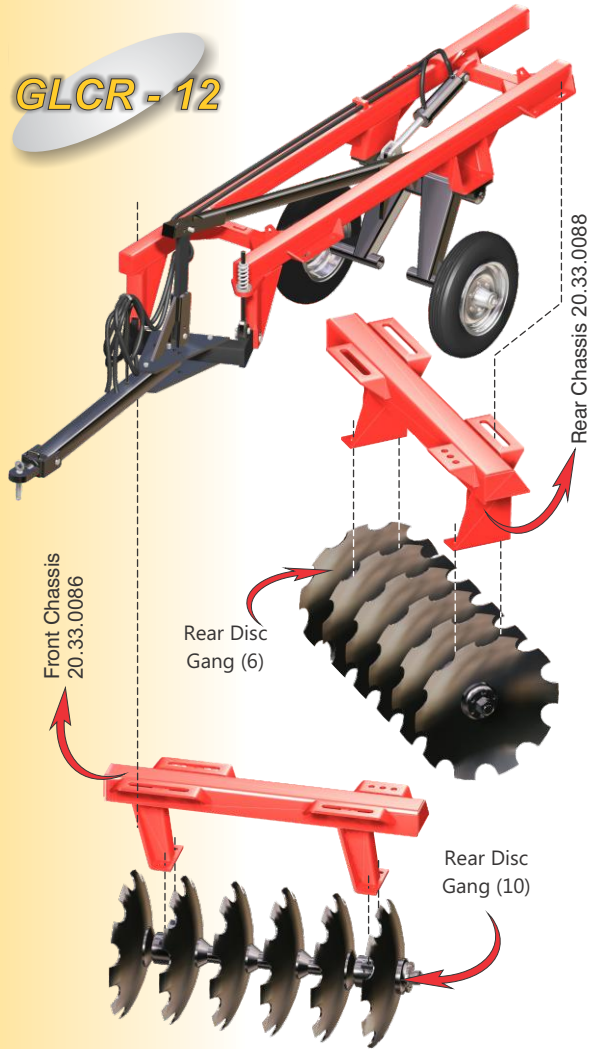
Fill it with IPICIL 1500 Oil
(without soup) - Quantity: 0,400 Liters

(* Silicon Ultra Cooper

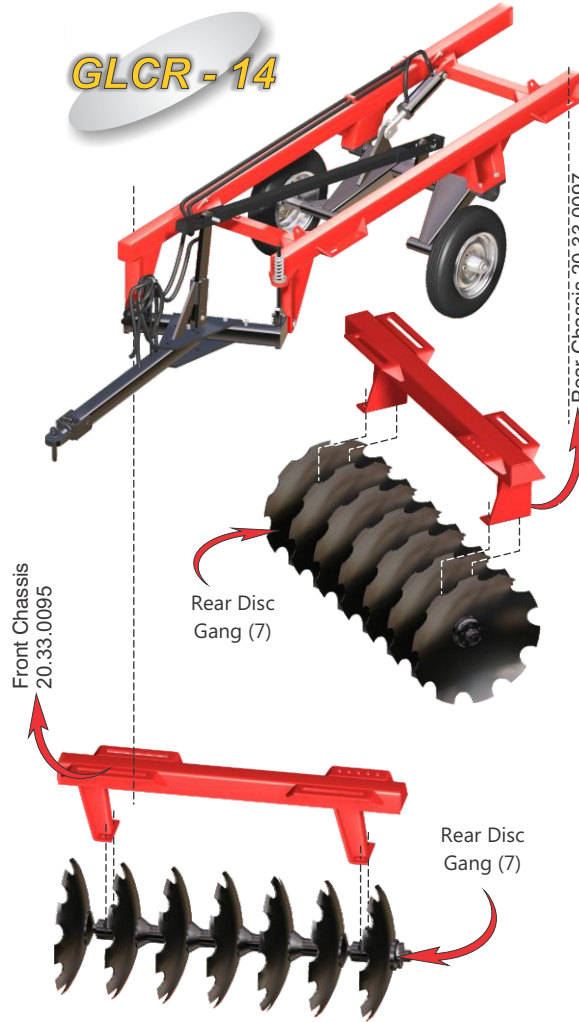




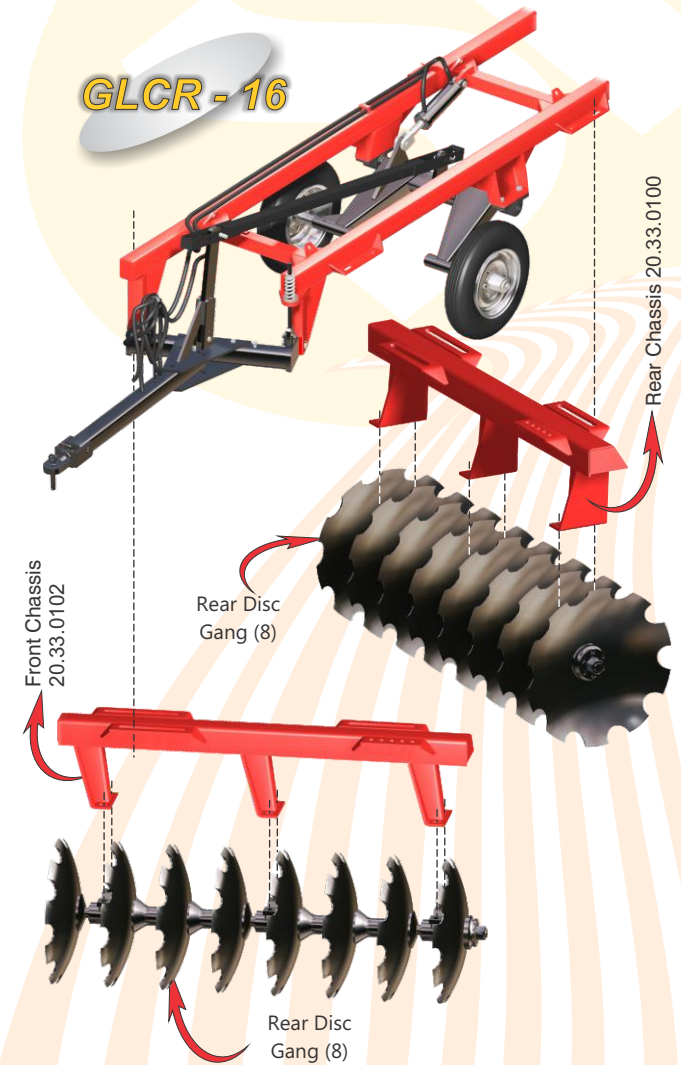
GLCR - 12



GLCR - 14



GLCR - 16



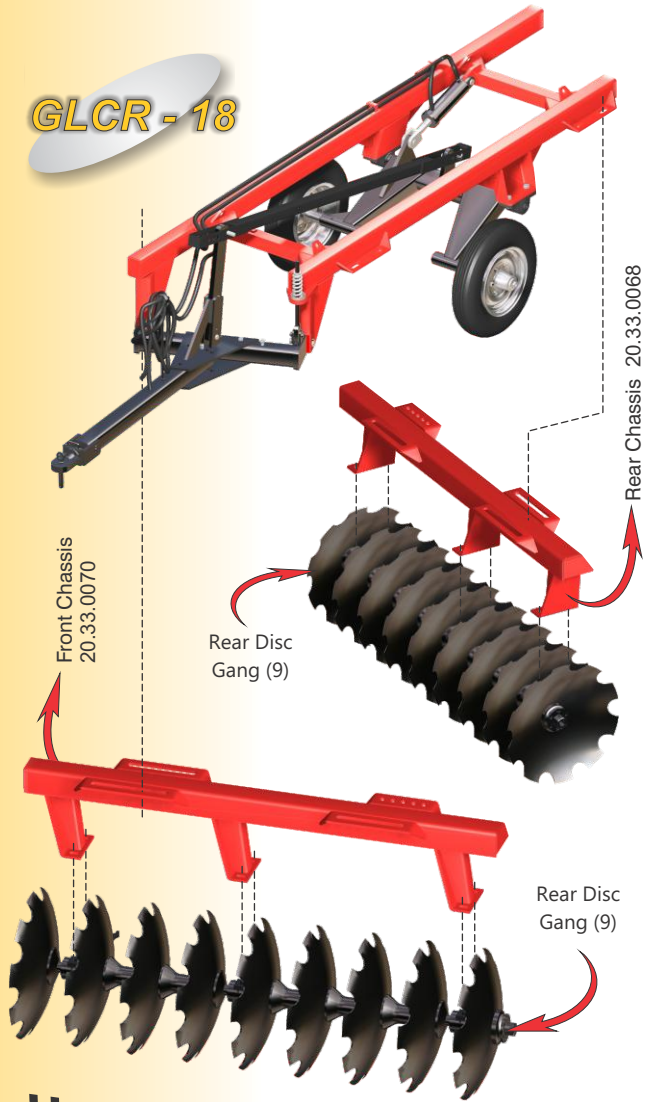
Note:

- This model can be assembled with 26" or 28" discs;
- There are some regulations on the chassis to adjust the disc gang;
- Front x Rear, offers more aggressive angle.

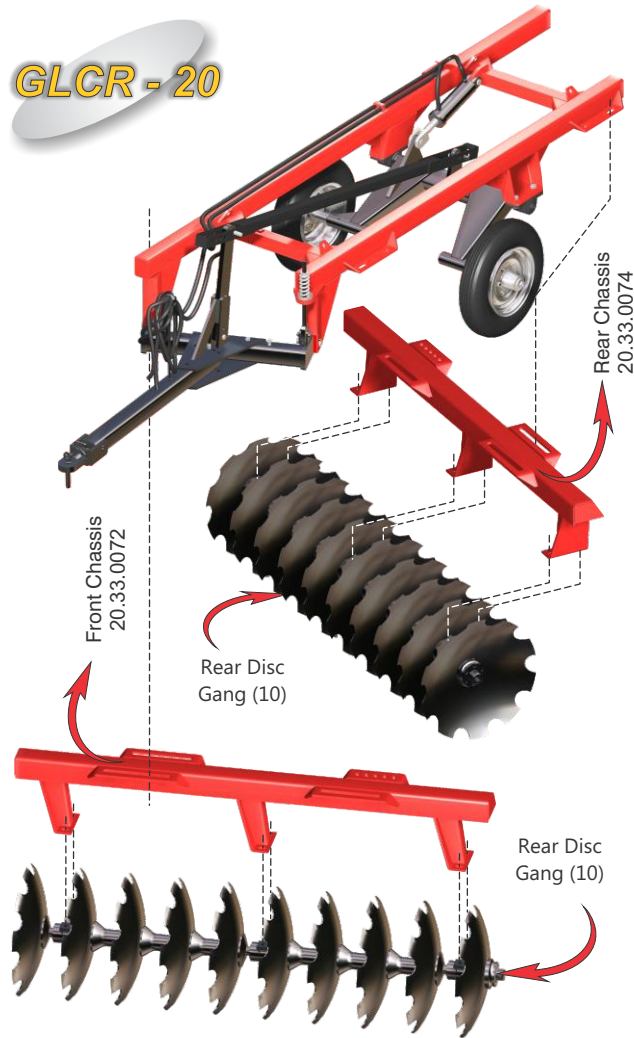




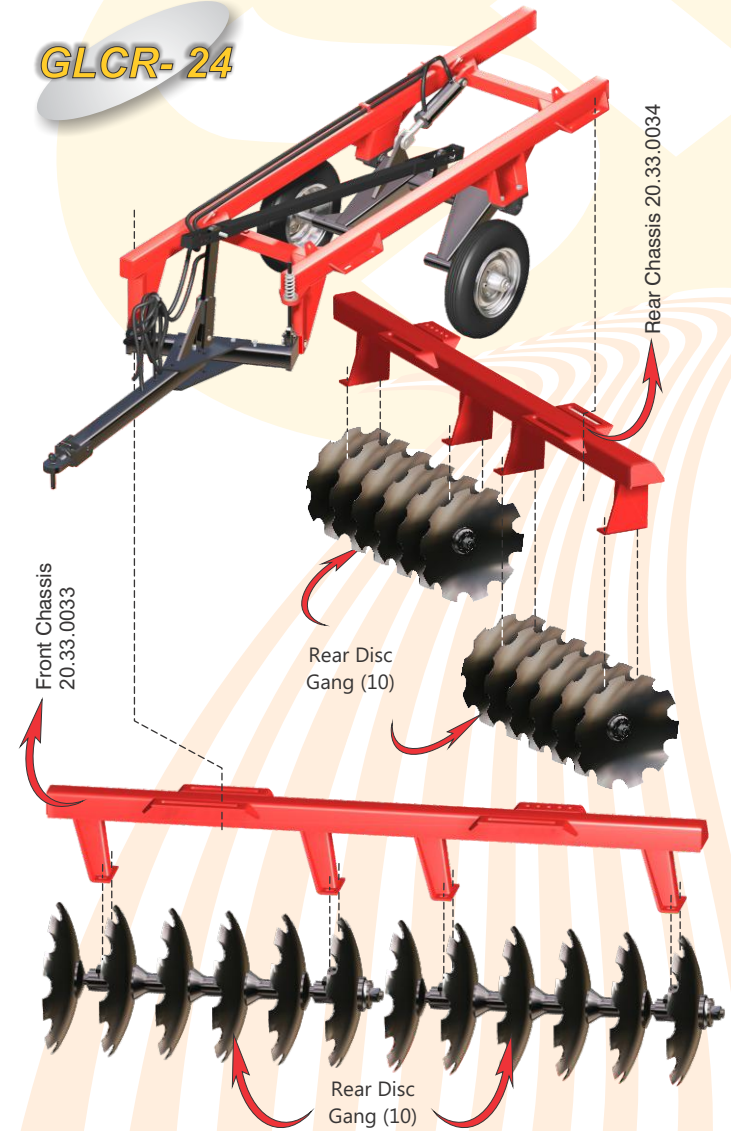
GLCR - 18



GLCR - 20



GLCR- 24



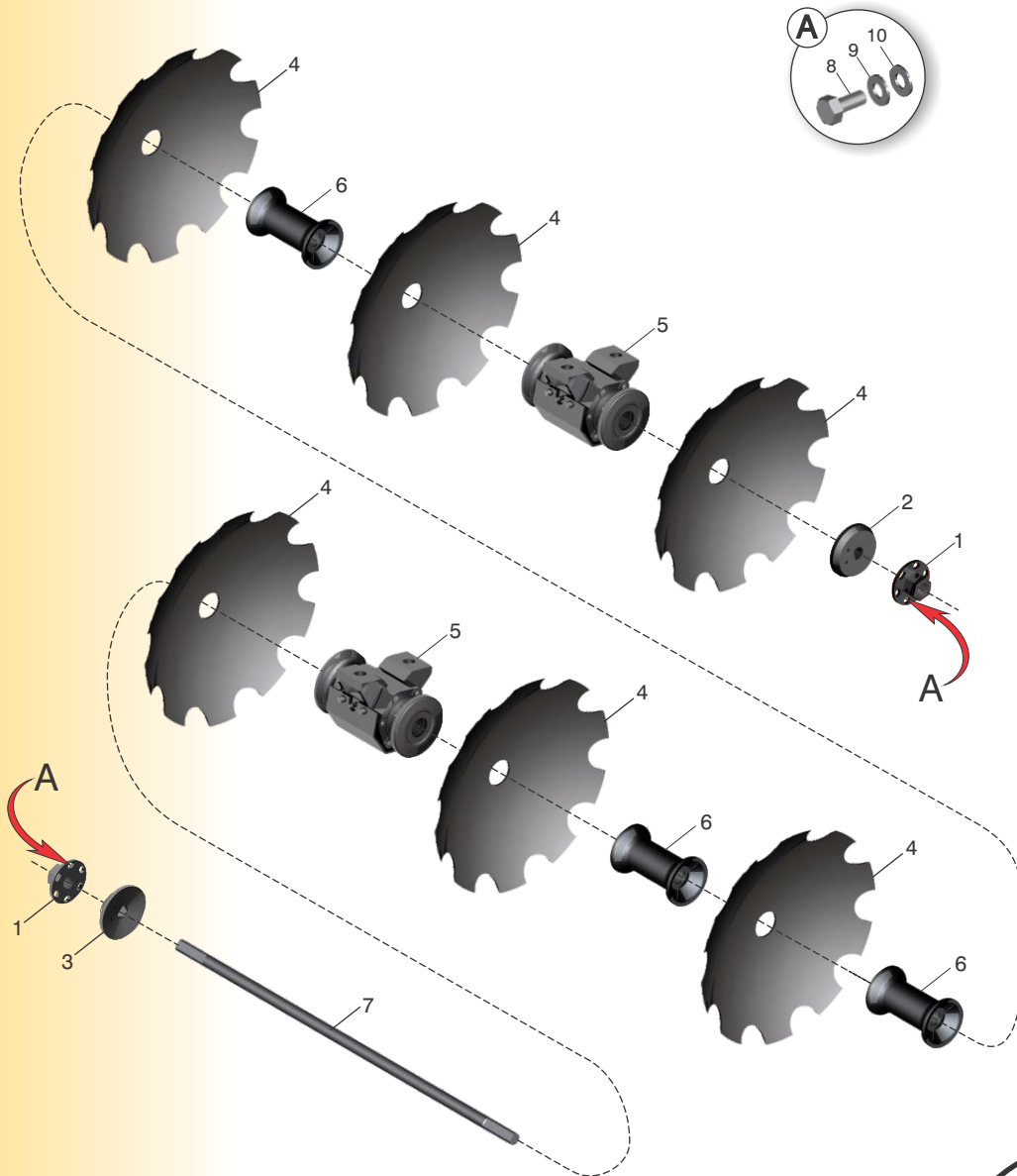
Note:

- This model can be assembled with 26" or 28" discs;
- There are some regulations on the chassis to adjust the disc gang;
- Front x Rear, offers more aggressive angle.





GLCR 12 DISC GANG



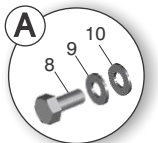
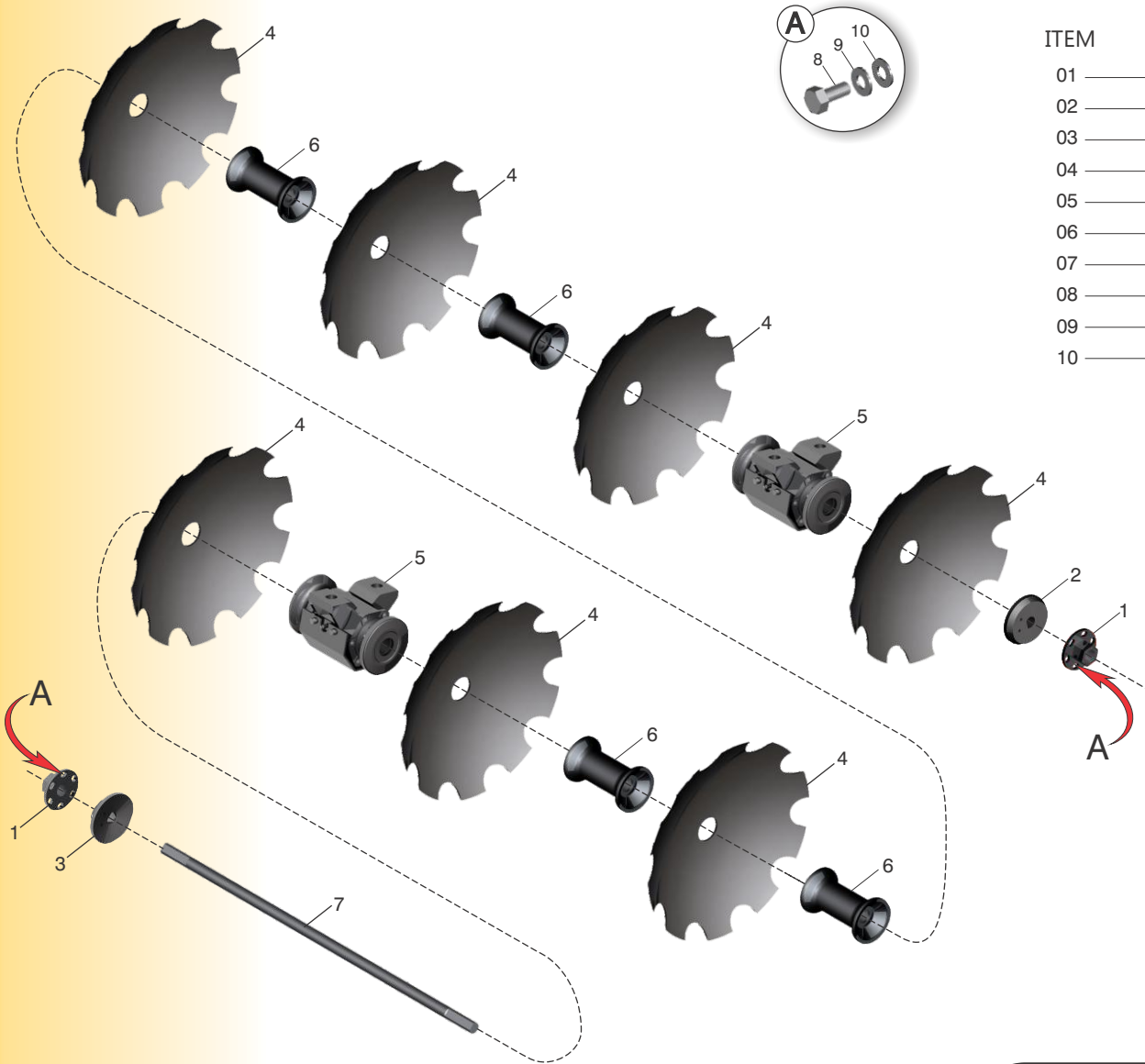
ITEM	CODE	DESCRIPTION	QUANTITY
01	40.16.0324	Flare Nut	04
02	40.01.0324	External Support	02
03	40.01.0323	Internal Support	02
04	40.04.0004	Notched Disc 24"	14
05	40.13.0291	Oil Bath Bearing 225mm (Page 06)	04
06	40.19.0066	Spacer 225mm	08
07	40.05.0241	Shaft 1.5/8" x 1360mm	02
08	40.16.0155	Hex. Bolt 1/2" x 1.1/4" UNC	08
09	40.01.5411	Spring washer 1.2"	08
10	40.01.5315	Flat washer 1/2"	08

-Standard Notched Disc: 24"
-Option Notched Disc: 26" or 28"





GLCR 14 DISC GANG



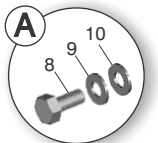
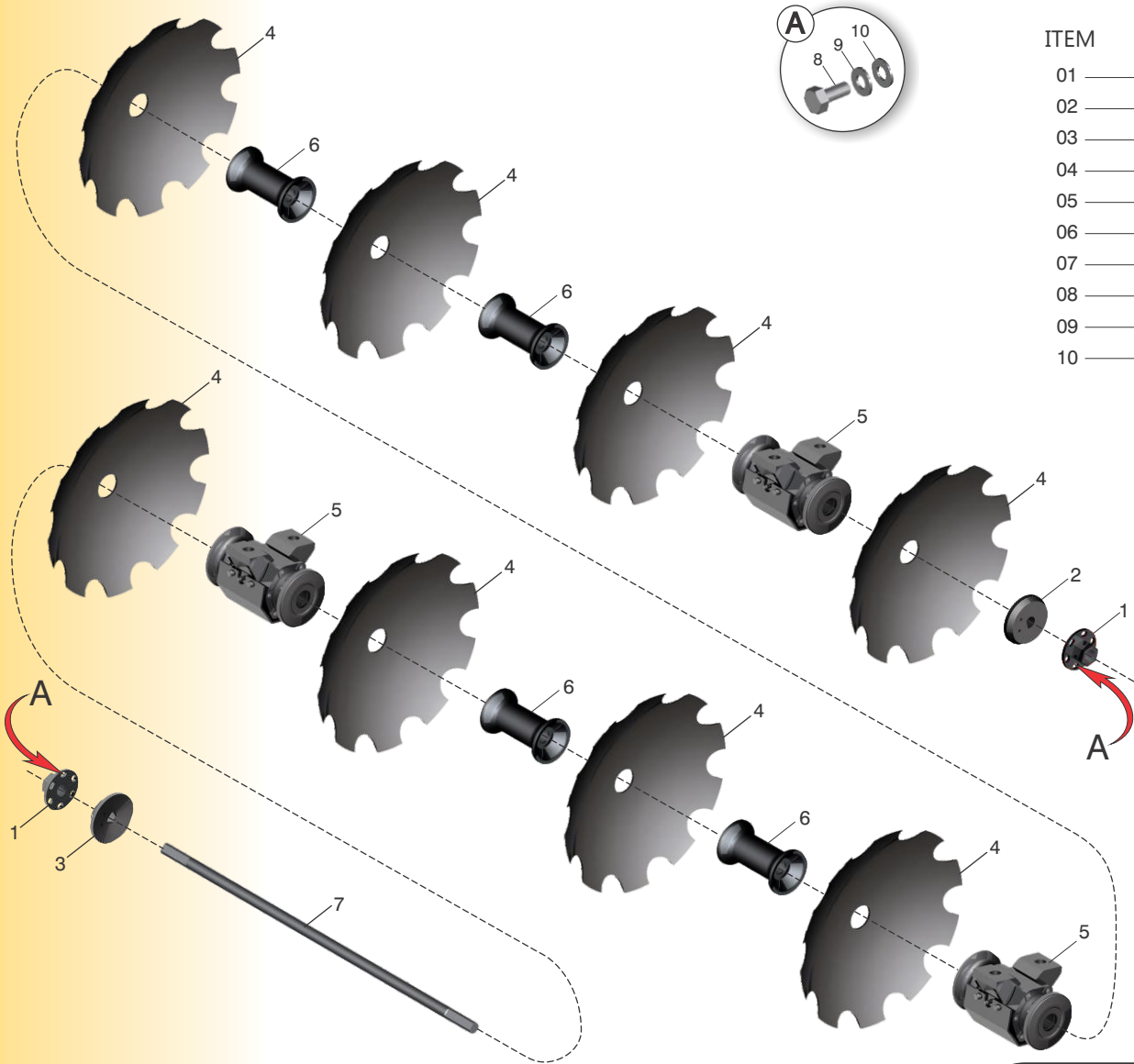
ITEM	CODE	DESCRIPTION	QUANTITY
01	40.16.0324	Flare Nut	04
02	40.01.0324	External Support	02
03	40.01.0323	Internal Support	02
04	40.04.0004	Notched Disc 24"	14
05	40.13.0291	Oil Bath Bearing 225mm (Page 06)	04
06	40.19.0066	Spacer 225mm	08
07	40.05.0247	Shaft 1.5/8" x 1590mm	02
08	40.16.0155	Hex. Bolt 1/2" x 1.1/4" UNC	08
09	40.01.5411	Spring washer 1.2"	08
10	40.01.5315	Flat washer 1/2"	08

-Standard Notched Disc: 24"
-Option Notched Disc: 26" or 28"





GLCR 16 DISC GANG



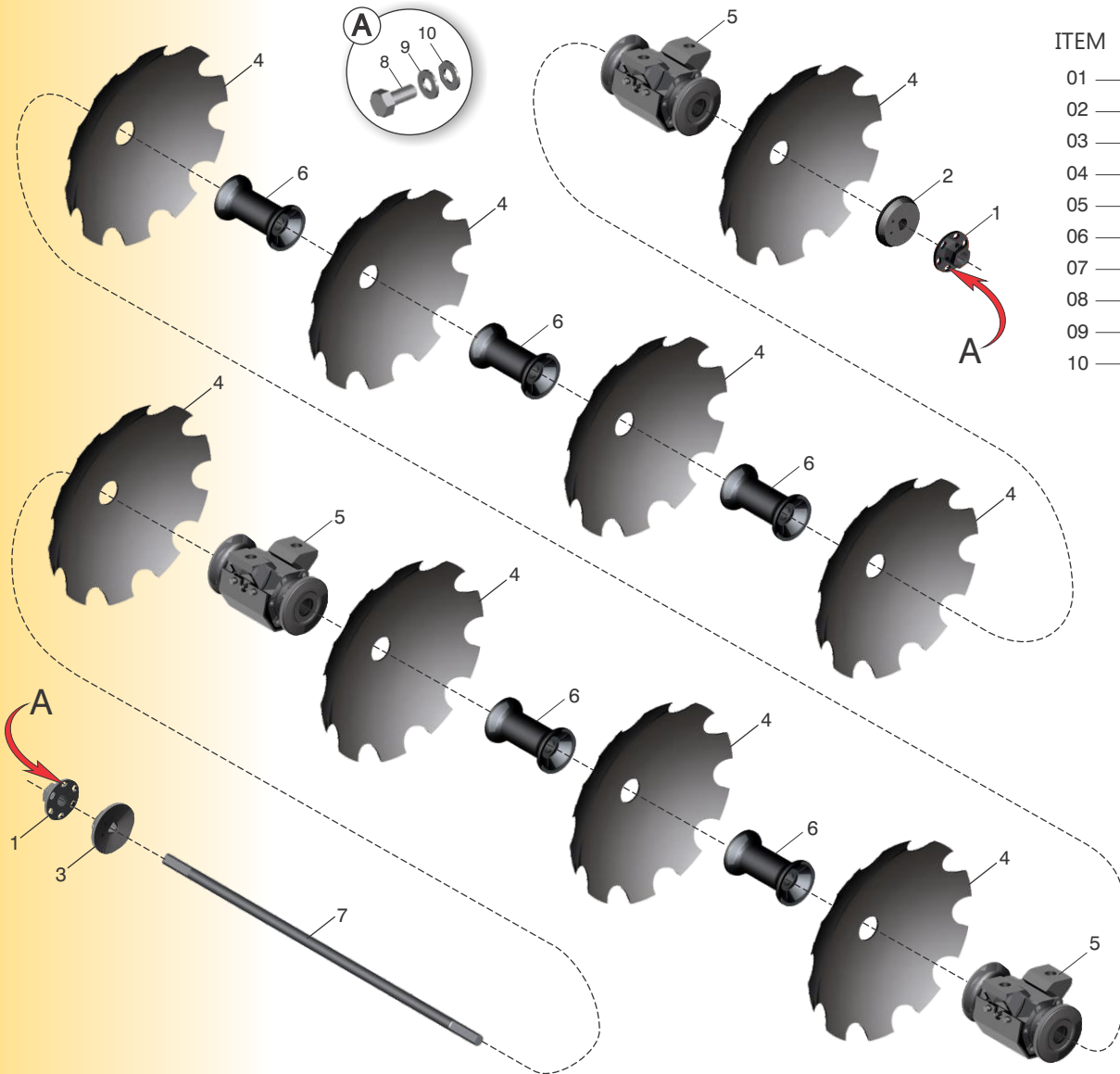
ITEM	CODE	DESCRIPTION	QUANTITY
01	40.16.0324	Flare Nut	04
02	40.01.0324	External Support	02
03	40.01.0323	Internal Support	02
04	40.04.0004	Notched Disc 24"	16
05	40.13.0291	Oil Bath Bearing 225mm (Page 06)	06
06	40.19.0066	Spacer 225mm	08
07	40.05.0249	Shaft 1.5/8" x 1820mm	02
08	40.16.0155	Hex. Bolt 1/2" x 1.1/4" UNC	08
09	40.01.5411	Spring washer 1.2"	08
10	40.01.5315	Flat washer 1/2"	08

-Standard Notched Disc: 24"
-Option Notched Disc: 26" or 28"





GLCR 18 DISC GANG



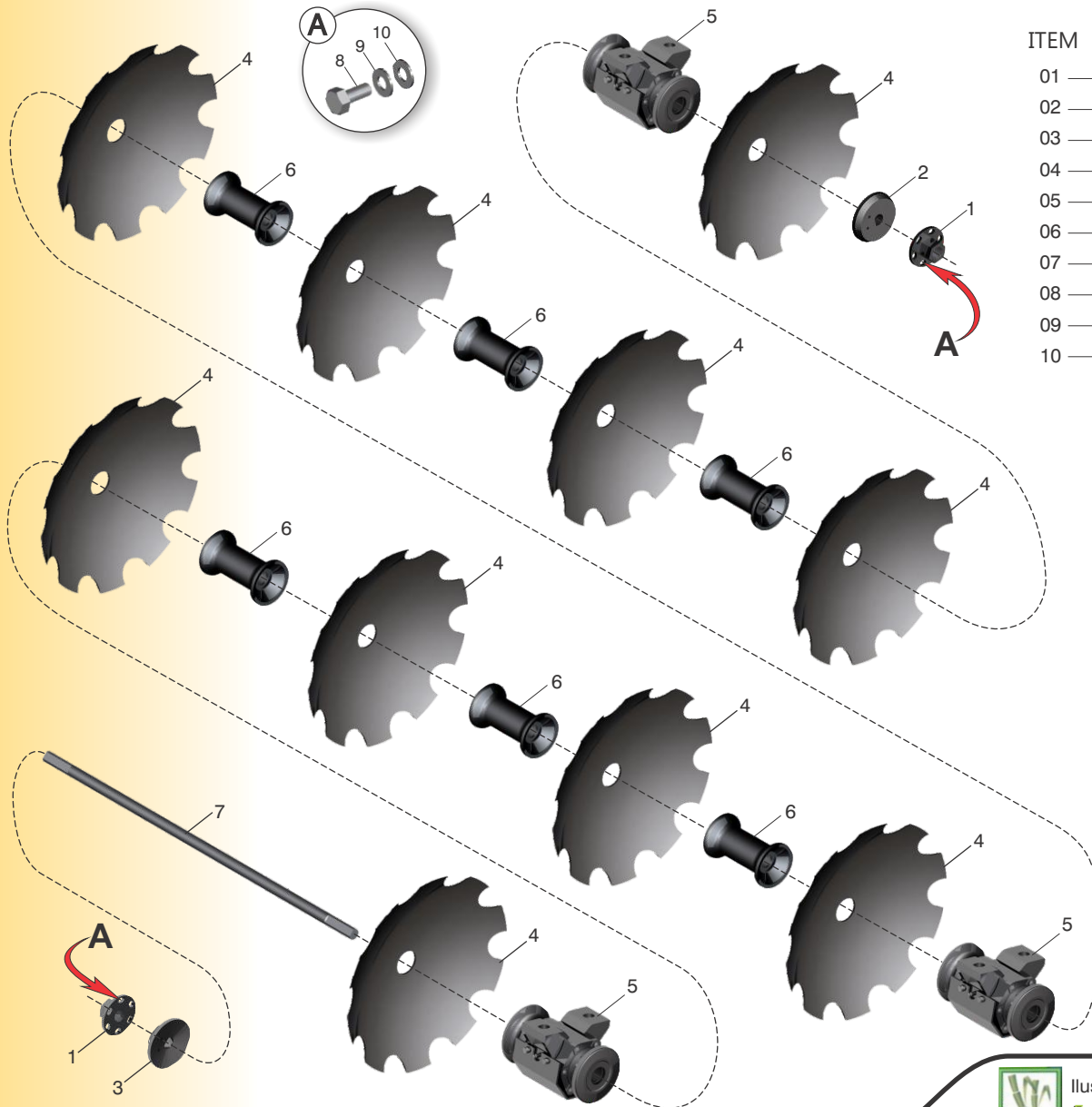
ITEM	CODE	DESCRIPTION	QUANTITY
01	40.16.0324	Flare Nut	04
02	40.01.0324	External Support	02
03	40.01.0323	Internal Support	02
04	40.04.0004	Notched Disc 24"	18
05	40.13.0291	Oil Bath Bearing 225mm (Page 06)	06
06	40.19.0066	Spacer 225mm	10
07	40.05.0189	Shaft 1.5/8" x 2050mm	02
08	40.16.0155	Hex. Bolt 1/2" x 1.1/4" UNC	08
09	40.01.5411	Spring washer 1.2"	08
10	40.01.5315	Flat washer 1/2"	08

-Standard Notched Disc: 24"
-Option Notched Disc: 26" or 28"





GLCR 20 DISC GANG



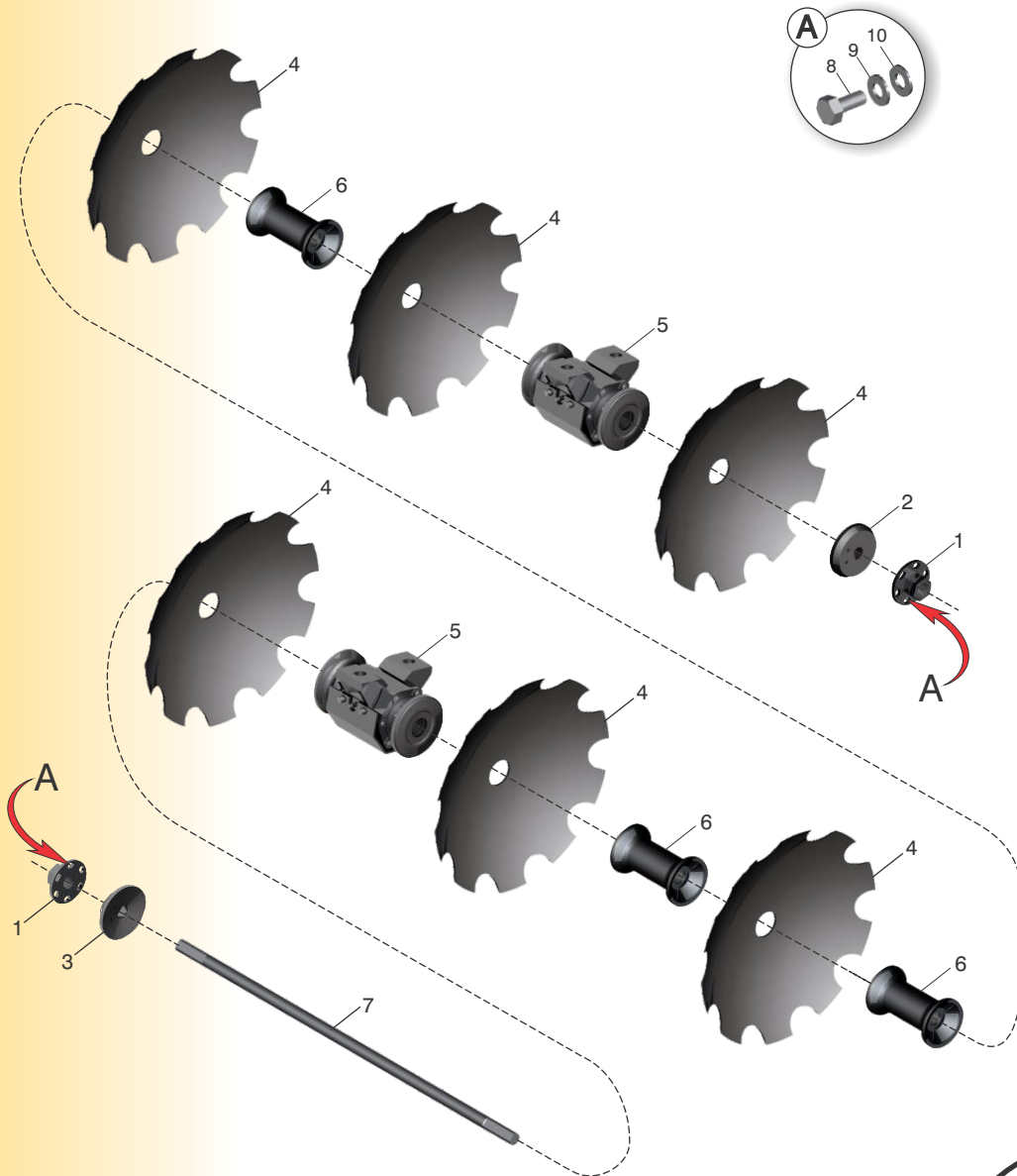
ITEM	CODE	DESCRIPTION	QUANTITY
01	40.16.0324	Flare Nut	04
02	40.01.0324	External Support	02
03	40.01.0323	Internal Support	02
04	40.04.0004	Notched Disc 24"	20
05	40.13.0291	Oil Bath Bearing 225mm (Page 06)	06
06	40.19.0066	Spacer 225mm	12
07	40.05.0190	Shaft 1.5/8" x 2280mm	02
08	40.16.0155	Hex. Bolt 1/2" x 1.1/4" UNC	08
09	40.01.5411	Spring washer 1.2"	08
10	40.01.5315	Flat washer 1/2"	08

-Standard Notched Disc: 24"
-Option Notched Disc: 26" or 28"





GLCR 24 DISC GANG



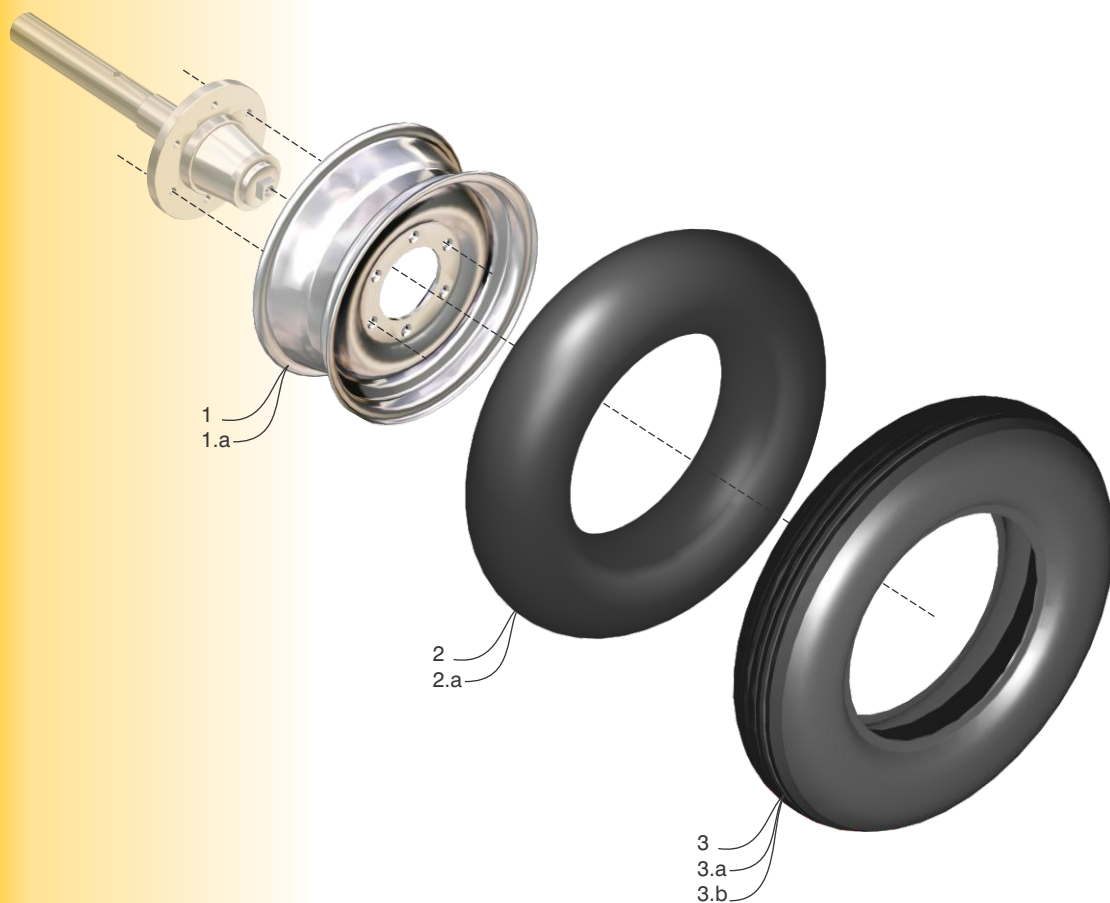
ITEM	CODE	DESCRIPTION	QUANTITY
01	40.16.0324	Flare Nut	08
02	40.01.0324	External Support	04
03	40.01.0323	Internal Support	04
04	40.04.0004	Notched Disc 24"	24
05	40.13.0291	Oil Bath Bearing 225mm (Page 06)	08
06	40.19.0066	Spacer 225mm	12
07	40.05.0241	Shaft 1.5/8" x 1360mm	04
08	40.16.0155	Hex. Bolt 1/2" x 1.1/4" UNC	16
09	40.01.5411	Spring washer 1.2"	16
10	40.01.5315	Flat washer 1/2"	16

-Standard Notched Disc: 24"
-Option Notched Disc: 26" or 28"





WHEEL SET



Assembled Wheel - 6.00 x 16 - Code 20.53.0093

ITEM	CODE	DESCRIPTION	QUANTITY
01	40.18.0071	Wheel	01
02	40.03.0006	Tube	01
03	40.16.0055	Tire 6.00 x 16	01

Assembled Wheel - 7.50 x 16 - Code 20.53.0097

ITEM	CODE	DESCRIPTION	QUANTITY
01	40.18.0071	Wheel	01
02	40.03.0006	Tube	01
03.a	40.16.0130	Tire 7.50 x 16	01

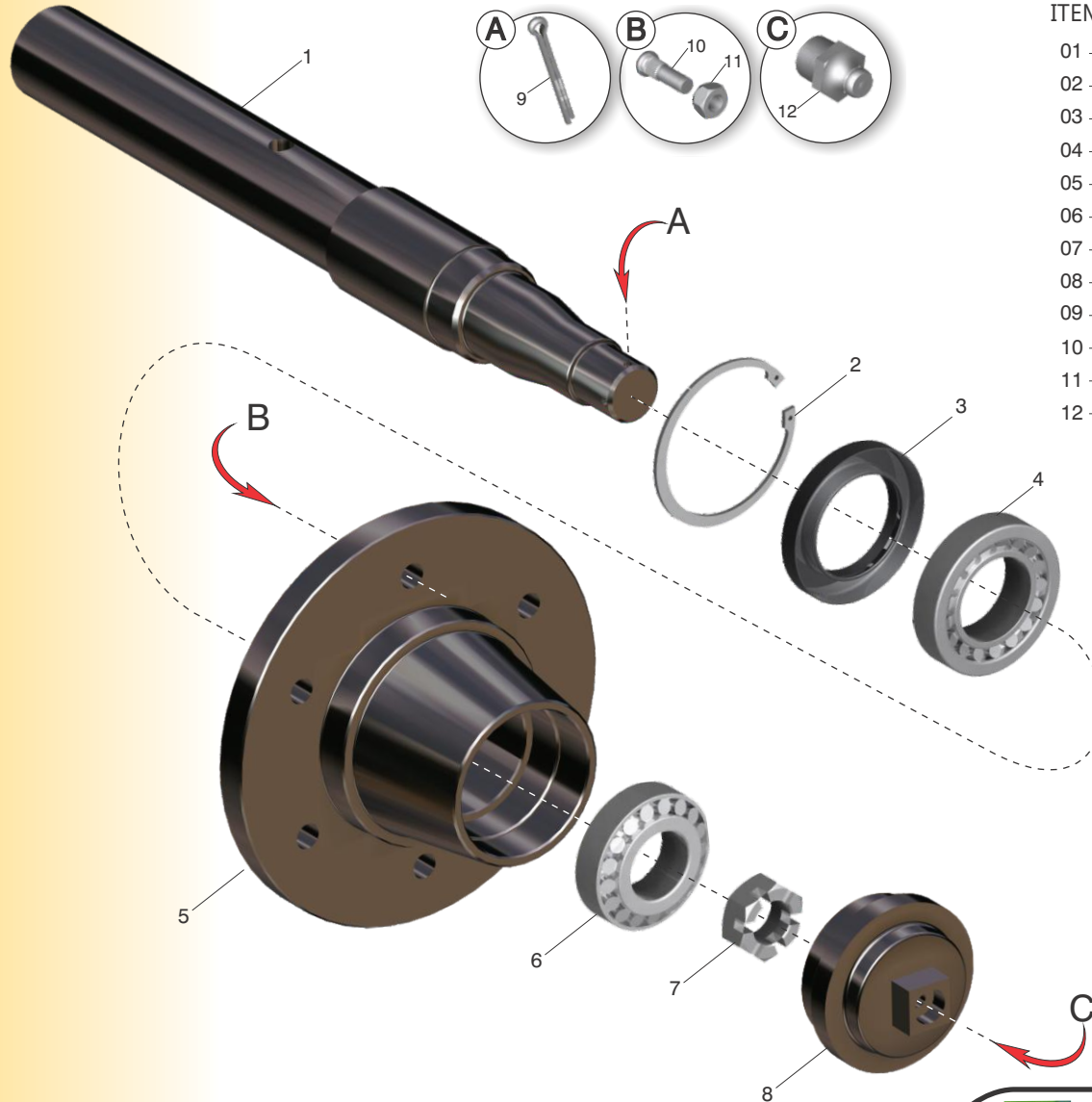
Assembled Wheel - 11L-15 - Code 20.18.0113 (Option)

ITEM	CODE	DESCRIPTION	QUANTITY
01.a	40.18.5525	Wheel	01
02.a	40.03.0056	Tube	01
03.b	40.16.5628	Tire 11L-15	01





Wheel Hub

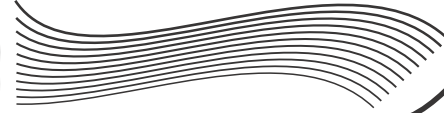


ITEM	CODE	DESCRIPTION	QUANTITY
01	22.33.0058	Wheel Shaft	01
02	40.01.0070	Elastic ring 502095	01
03	40.18.0007	Retainer 5983 ARCA	01
04	40.18.5099	Bearing 32210	01
05	20.32.0072	Hub	01
06	40.18.5098	Bearing 32208	01
07	40.16.5025	Castle Nut 1.3/8" UNF	01
08	20.34.2025	Housing Lid	01
09	40.03.5027	Cotter Pin 3/16"x 2"	01
10	40.16.0020	Bolt 9/16" x 2"	06
11	40.16.7022	Conic Castle Nut 9/16"	06
12	40.07.5034	Grease Nipple 1/8" BSP	01





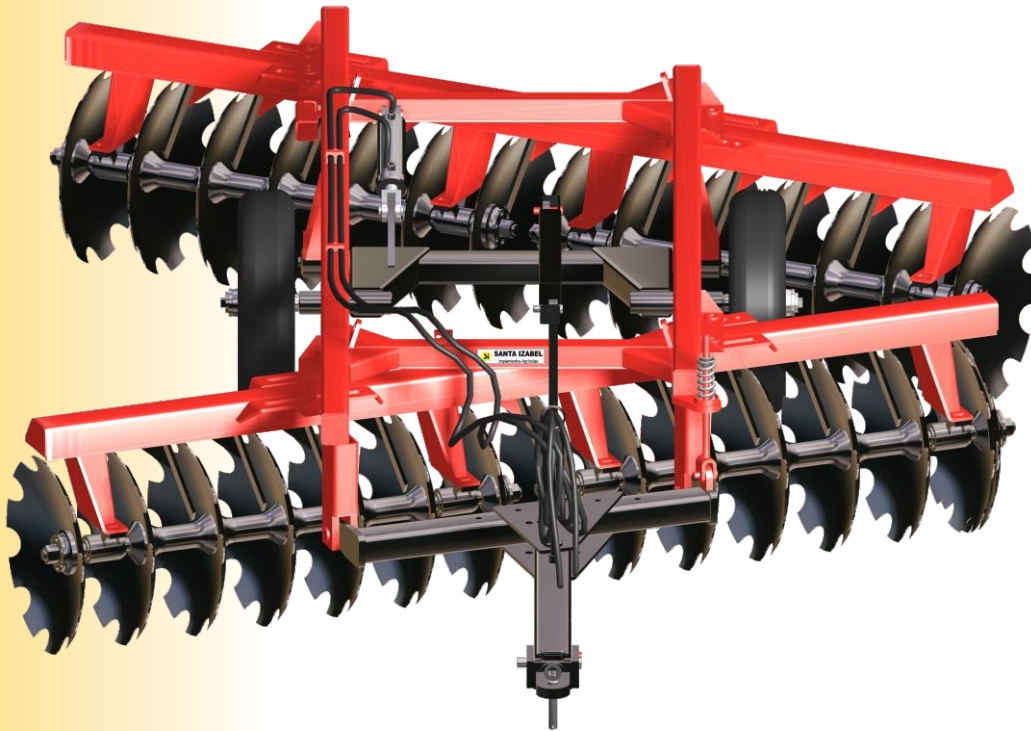
SANTA IZABEL
Implementos Agrícolas



NOTES

Light Disc Harrow Remote Control

GLCR- 24



SANTA IZABEL Implementos Agrícolas Ltda

Avenida Dolores Martins Rubinho, 901 - Distrito Industrial II
CEP: 13.877-757 - São João da Boa Vista - São Paulo - Brasil
Fone: (+55) (19) 3636.2100 - Fax: (+55) (19) 3636.2105
e-mail: santaizabel@santaizabel.ind.br - Site: www.santaizabel.ind.br



Ilustração: _____
Equipcanna - Equipamentos Agrícolas

Parts Catalogue
2012

